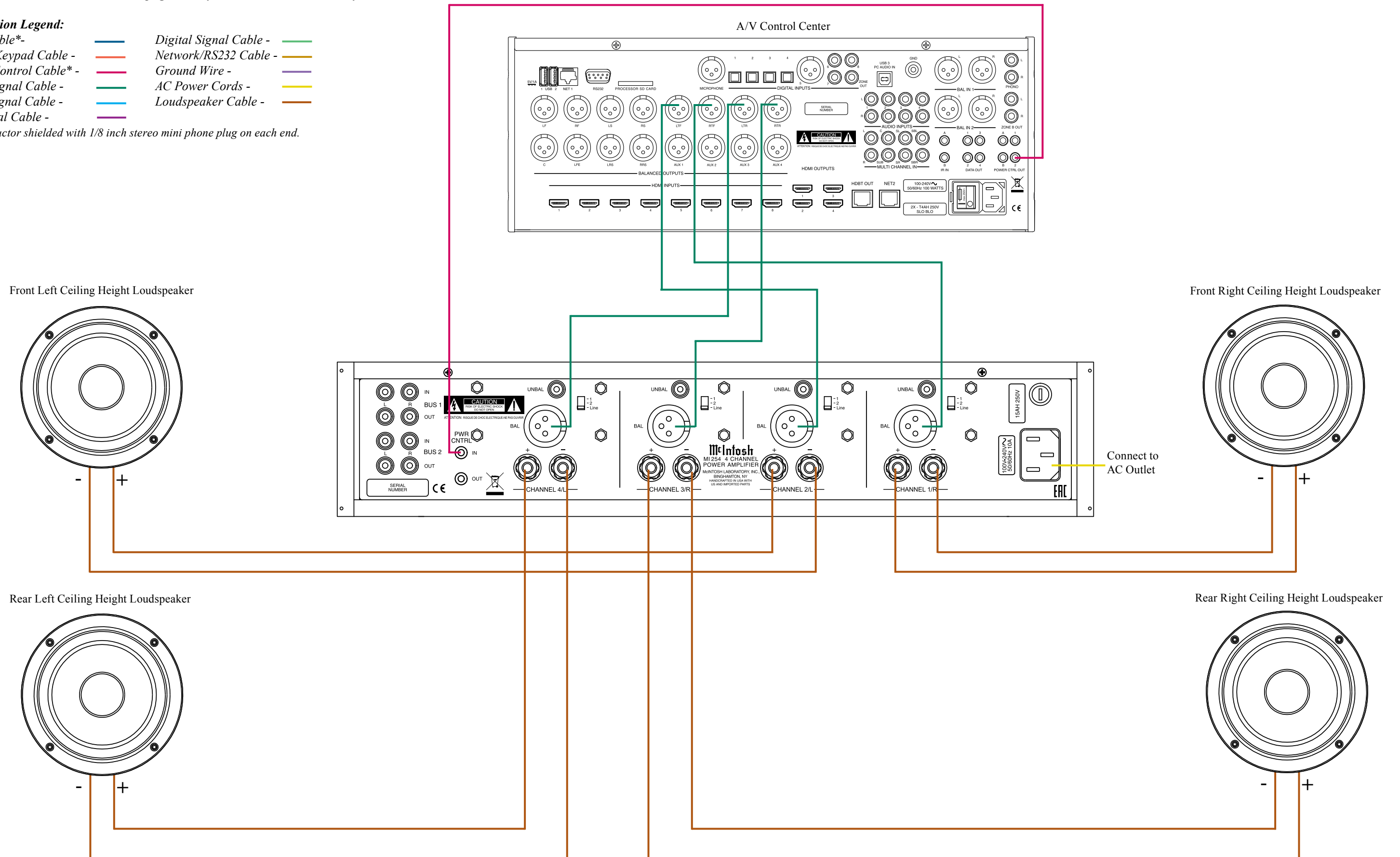


Note: Refer to the MI254 Owner's Manual pages 8 & 9 for additional connection information.

Connection Legend:

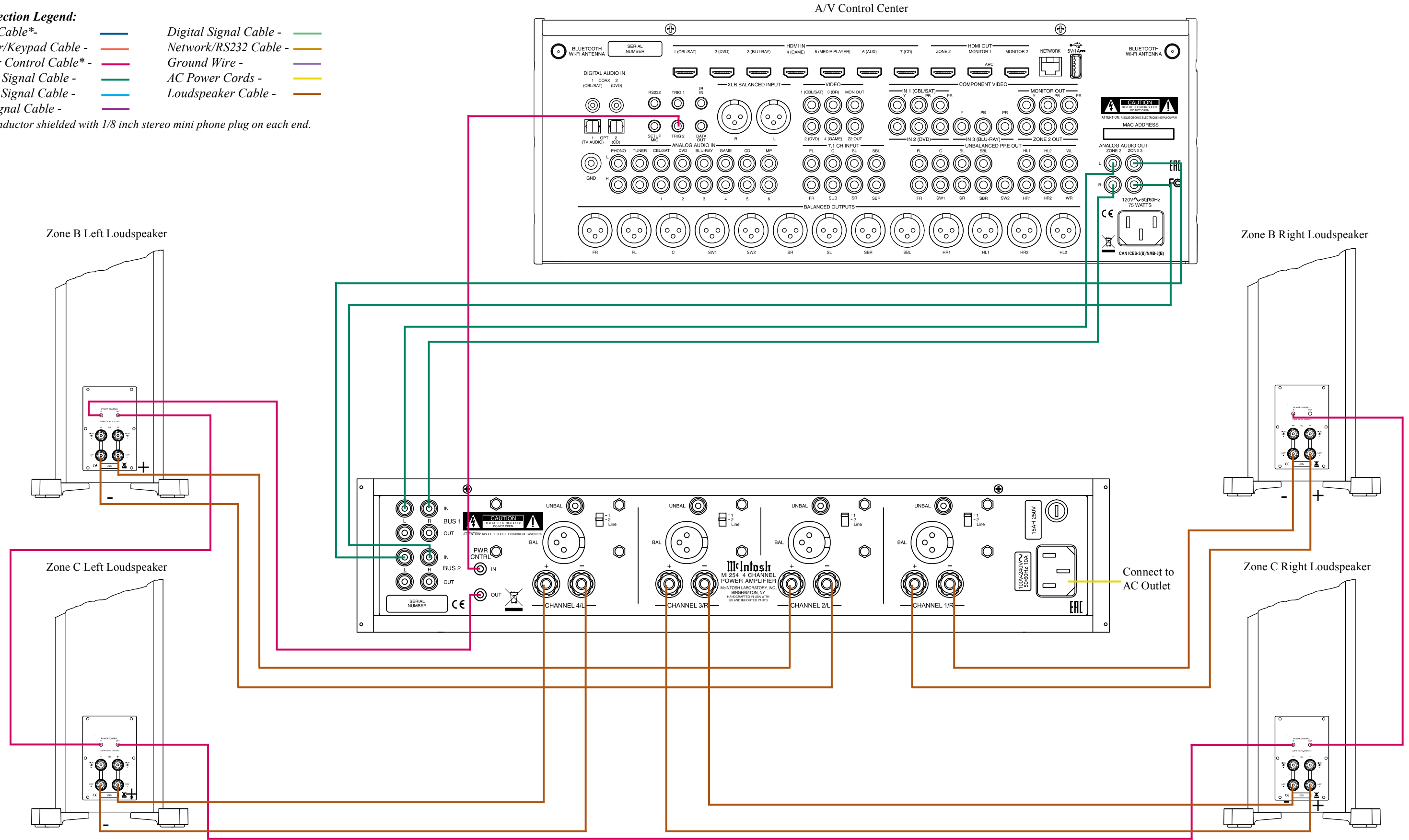
- Data Cable* - — Digital Signal Cable - —
 - Sensor/Keypad Cable - — Network/RS232 Cable - —
 - Power Control Cable* - — Ground Wire - —
 - Audio Signal Cable - — AC Power Cords - —
 - Video Signal Cable - — Loudspeaker Cable - —
 - RF Signal Cable - —
- * 2 conductor shielded with 1/8 inch stereo mini phone plug on each end.



Note: Refer to the MI254 Owner's Manual pages 10 & 11 for additional connection information.

Connection Legend:

- Data Cable* - —
 - Sensor/Keypad Cable - —
 - Power Control Cable* - —
 - Audio Signal Cable - —
 - Video Signal Cable - —
 - RF Signal Cable - —
 - Digital Signal Cable - —
 - Network/RS232 Cable - —
 - Ground Wire - —
 - AC Power Cords - —
 - Loudspeaker Cable - —
- * 2 conductor shielded with 1/8 inch stereo mini phone plug on each end.



Note: Refer to the MI254 Owner's Manual pages 12 & 13 for additional connection information.

Connection Legend:

- Data Cable* - —
 - Sensor/Keypad Cable - —
 - Power Control Cable* - —
 - Audio Signal Cable - —
 - Video Signal Cable - —
 - RF Signal Cable - —
 - Digital Signal Cable - —
 - Network/RS232 Cable - —
 - Ground Wire - —
 - AC Power Cords - —
 - Loudspeaker Cable - —
- * 2 conductor shielded with 1/8 inch stereo mini phone plug on each end.

