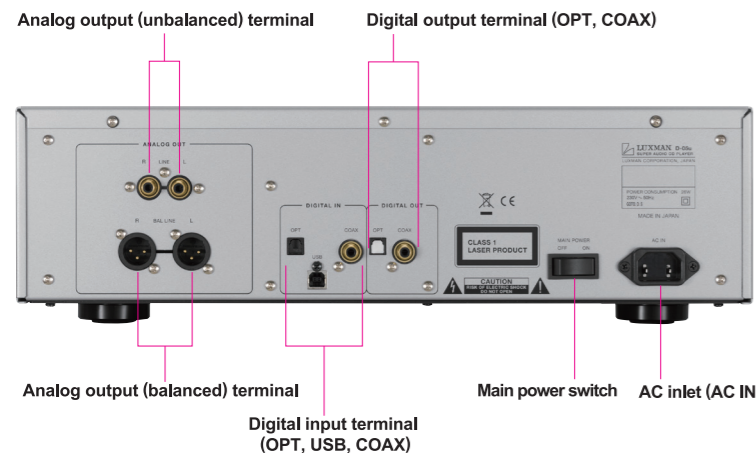
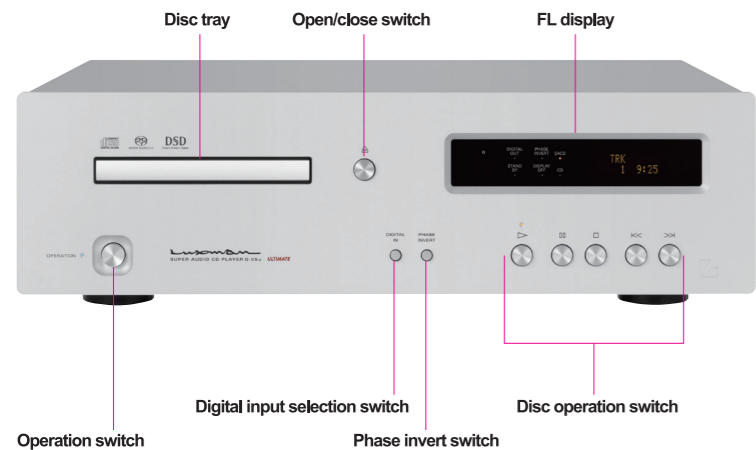


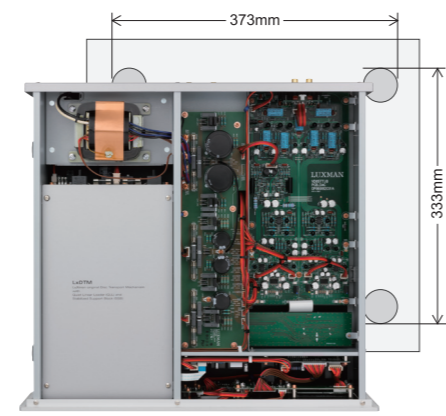
# D-05u SUPER AUDIO CD PLAYER



Remote control (RD-21)

## SPECIFICATIONS

Applicable disc	2-channel SACD, CD
Supported sampling frequencies	USB input (PCM) : 32k, 44.1k, 48k, 88.2k, 96k, 176.4k, 192k (16, 24, 32bits) USB input (DSD) : 2.82M, 5.64MHz (1bit) COAX/OPT input : 32k, 44.1k, 48k, 88.2k, 96k, 176.4k, 192kHz (16, 20, 24bits)
Analog output voltage / impedance	2.4V/300Ω (unbalanced), 600Ω (balanced)
Frequency response	CD 5Hz to 20kHz (+0, -0.5dB) SACD 5Hz to 50kHz (+0, -3.0dB) USB 5Hz to 50kHz (+0, -3.0dB)
Total harmonic distortion	CD 0.0015%, SACD 0.0015%, USB 0.0009%
S/N ratio (IHF-A)	CD 122dB, SACD 102dB, USB 123dB
Disc drive mechanism	LxDTM
D/A converter	Burr-Brown-made PCM1795 (monaural mode) x 2
Output amplifier circuit	Fully balanced/high sound quality IC buffer
Power supply	230V~(50Hz) / 115V~(60Hz)
Power consumption	26W 1W (at standby)
Dimensions	440(W) x 133(H) x 410(D) mm front side knob of 2mm and rear side terminal of 8mm included in depth
Net weight	14.8kg(main unit)
Accessories	Remote control (RD-21) Power cable Install software CD



Internal configuration

\*Rear panel : European Model

### Following in the wake of the top-end model



Applicable disc	2-channel SACD, CD
Supported sampling frequencies	USB input (PCM) : 32k, 44.1k, 48k, 88.2k, 96k, 176.4k, 192k, 352.8k, 384kHz (16, 24, 32bits) USB input (DSD) : 2.82M, 5.64MHz (1bit) COAX/OPT input : 32k, 44.1k, 48k, 88.2k, 96k, 176.4k, 192kHz (16, 20, 24bits)
Analog output voltage / impedance	2.5V/300Ω (unbalanced), 600Ω (balanced)
Frequency response	CD 5Hz to 20kHz (+0, -0.5dB) SACD 5Hz to 50kHz (+0, -3.0dB) USB 5Hz to 50kHz (+0, -3.0dB)

Total harmonic distortion	CD 0.0015%, SACD 0.0011%, USB 0.0009%
S/N ratio (IHF-A)	CD 122dB, SACD 104dB, USB 123dB
Disc drive mechanism	LxDTM
D/A converter	Burr-Brown-made PCM1792A (monaural mode) x 2
Output amplifier circuit	Fully balanced/high sound quality IC buffer
Power supply	230V~(50Hz) / 115V~(60Hz)
Power consumption	29W 1W (at standby)
Dimensions	440(W) x 133(H) x 410(D) mm front side knob of 2mm and rear side terminal of 8mm included in depth
Net weight	15.7kg(main unit)

### Top-end disc player



Applicable disc	2-channel SACD, CD
Supported sampling frequencies	USB input (PCM) : 32k, 44.1k, 48k, 88.2k, 96k, 176.4k, 192k, 352.8k, 384kHz (16, 24, 32bits) USB input (DSD) : 2.82M, 5.64MHz (1bit) COAX/OPT input : 32k, 44.1k, 48k, 88.2k, 96k, 176.4k, 192kHz (16, 20, 24bits)
Analog output voltage / impedance	2.5V/300Ω (unbalanced), 600Ω (balanced)
Frequency response	CD 5Hz to 20kHz (+0, -0.5dB) SACD 5Hz to 50kHz (+0, -3.0dB) USB 2Hz to 50kHz (+0, -3.0dB)

Total harmonic distortion	CD 0.0015%, SACD 0.0011%, USB 0.0009%
S/N ratio (IHF-A)	CD 123dB, SACD 106dB, USB 123dB
Disc drive mechanism	LxDTM(with dust-proof shutter)
D/A converter	Burr-Brown-made PCM1792A (monaural mode) x 2
Output amplifier circuit	Fully balanced discrete ODNF version 4.0
Power supply	230V~(50Hz) / 115V~(60Hz)
Power consumption	38W 1W (at standby)
Dimensions	440(W) x 154(H) x 413(D) mm front side knob of 2mm and rear side terminal of 11mm included in depth
Net weight	22.5kg(main unit)

\* Windows is a registered trademark or a trademark of Microsoft Corporation in the United States and/or other countries.  
\* Mac is a registered trademark or a trademark of Apple Inc. in the U.S. and other countries. \* DSD is a registered trademark.  
\* The described company names and product names are trademarks or registered trademarks of each company.  
\* Specifications and appearance are subject to change without notice \* The products listed in this catalog do not include line cables. Please purchase cables separately.

# LUXMAN

## SUPER AUDIO CD PLAYER D-05u



# LUXMAN

LUXMAN CORPORATION, 1-3-1 Shinyokohama, Kouhoku-ku, Yokohama-shi, Kanagawa 222-0033, Japan  
Tel: +81-45-470-6980 Fax: +81-45-470-6997 www.luxman.co.jp  
LUXMAN reserves the right to alter the design and specifications without notice.  
All rights reserved LUXMAN CORPORATION

**⚠ Safety Cautions**

To ensure correct use of this product, read the "Owner's Manual" prior to use. Failure to follow all safeguards can result in fire, electric shock, or other accidents.

# Next generation digital media player for profound musical expression

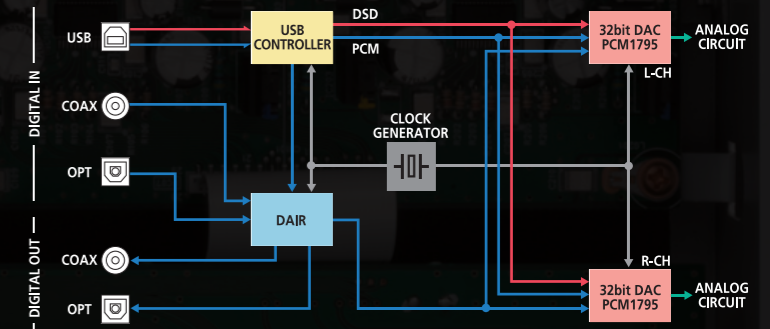


The D-05u digital media player from LUXMAN inherits its outstanding high end performance from the flagship model, the D-08u. It is a CD/SACD player with the added benefit of reproducing file sound sources by connecting to a Windows PC or Mac via USB. The proprietary LxDTM disc drive mechanism at the heart of the LUXMAN 'D' Series offers overwhelming rigidity for high precision, accurate signal processing. In addition, the D-05u achieves profound musical expression above its class due to the advanced digital circuits that support up to 192kHz/32-bit PCM and 5.64 MHz DSD and high sound quality buffer circuits with fully balanced configuration. The D-05u embodies an evolving listening style in as 'digital media player', the uppermost of the music reproduction systems.



## Next generation digital circuit design

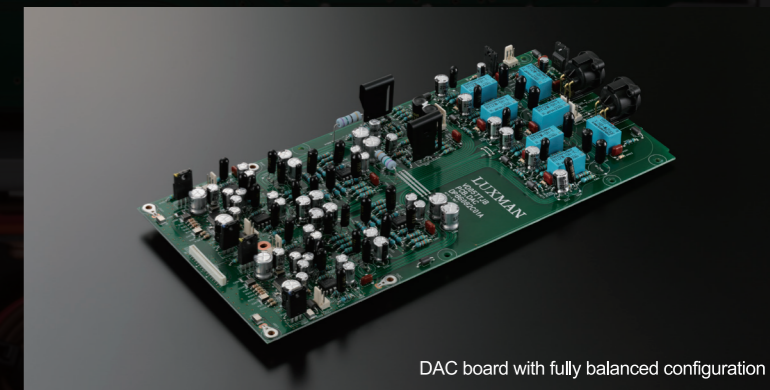
The D-05u supports high-grade CD/SACD reproduction as a matter of course but additionally can support the reproduction of file sound sources of up to 192 kHz/32-bit PCM data and DSD data (2.82 MHz, 5.64 MHz) by connecting to a PC or Mac via USB cable. The jitter of USB signals is completely eliminated by the dedicated DSP via asynchronous communication, whilst the jitter of CD or S/PDIF signals is eliminated by the embedded DAIR high-precision clock. A dedicated jitter reduction chip eliminates jitter from SACD signals. In addition, the D-05u features a low phase noise clock module that reduces noise near the oscillating frequency and therefore improves the accuracy of the entire signal transmission.



D-05u Conceptual diagram of digital circuit

## Fully balanced analog output

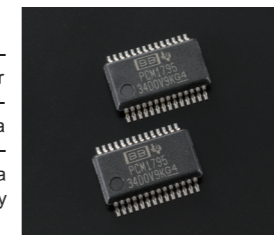
In order to achieve the precise musical expression required from the uppermost of the integrated system such as the D-05u, the accuracy of the proprietary LxDTM mechanism combined with cutting edge digital technology is necessary. The design of the D-05u ensures that signals read by the LxDTM are sophisticatedly digitized into analog signals through a high-precision converter and then output through a high grade analog amplification circuit. The D-05u has achieved a reduction in the impedance of the differential output of the D/A converter, PCM1795, operated at the monaural mode with the use of a high sound quality buffer circuit with fully balanced configuration (identically configured amplifier x 4 units). This unit enables next stage components such as an integrated amplifier or a control amplifier to be powerfully driven by the D-05u.



DAC board with fully balanced configuration

## Latest 32-bit DAC chip

The PCM1795 - the latest 32-bit compatible chip - is used for the D/A converter in a dual configuration setup that is identical to higher grade models. Thanks to a built-in function, a digital filter is selectable from 2 types for PCM signals, and a tone is selectable from 2 types made by the analog FIR filter for DSD signals.



32-bit compatible DAC PCM1795

## Large-sized FL display

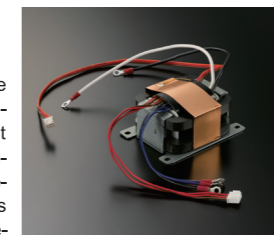
The large FL display of the D-05u exudes a sense of class and is mounted on the elegant front panel with a blaster white finish. The display features a dimmer function (brightness switching) that includes 'lighting off' and 'zoom display' modes that allows the display to be more visible from a distance.



Zoom mode-equipped FL display

## Large-capacity power supply circuit block

The high-inertia power supply featured in the D-05u consists of large-capacity power transformer, independent regulators for each circuit and a large-capacity block capacitor. The cabinet of the D-05u has a complex structural design utilising a loopless and shielded chassis that acts as a countermeasure against magnetic field, ground impedance and digital noise.



Large-capacity power transformer

## LUXMAN original high sound quality playback software

"LUXMAN Audio Player", is the proprietary high sound quality playback software from LUXMAN and is supplied for audio reproduction with use of a Windows PC or Mac PC via a USB cable. The following file formats are supported and those formats are used by major music distribution sites: FLAC/ALAC/WAV/AIFF/MP3 and DSF/DSDIFF.



LUXMAN Audio Player

## Plenty of input/output terminals

The RCA terminals are 18 mm pitch with gold plating and high-grade XLR terminals manufactured by Neutrik® Limited are provided for the analog outputs on the rear panel. A USB input terminal supporting DSD/PCM signals, as well as coaxial line and optical line input/output terminals support up to 192 kHz/24-bit PCM and are provided for the digital signals.



Digital input/output terminals

## Aluminum dedicated remote control

The D-05u comes with a dedicated aluminum remote control with a numeric keypad that is slim, fits comfortably into the hand and is excellent to operate. The remote control allows you to change between digital and analog filters and between CD and SACD players without moving from your listening position.



Dedicated remote control (RD-21)

## Original mechanism LxDTM

The D-05u is proud of its rigidity as higher grade models. The D-05u is also equipped with the LUXMAN original disc drive mechanism, the LxDTM, allowing digital data to be read at a high level of precision. An asymmetrical, left-sided mechanism layout as opposed to the 'usual' centered mechanism structure is adopted after careful consideration of sufficient space for voluminous analog circuit, ideal flow for all kinds of signals, oscillatory path, and weight balance. What is more, the D-05u introduces a 'box structure', using a strong chassis to solidly enclose the whole mechanism and effectively cut out external vibration.

\* LxDTM is an abbreviation for Luxman original Disc Transport Mechanism.